
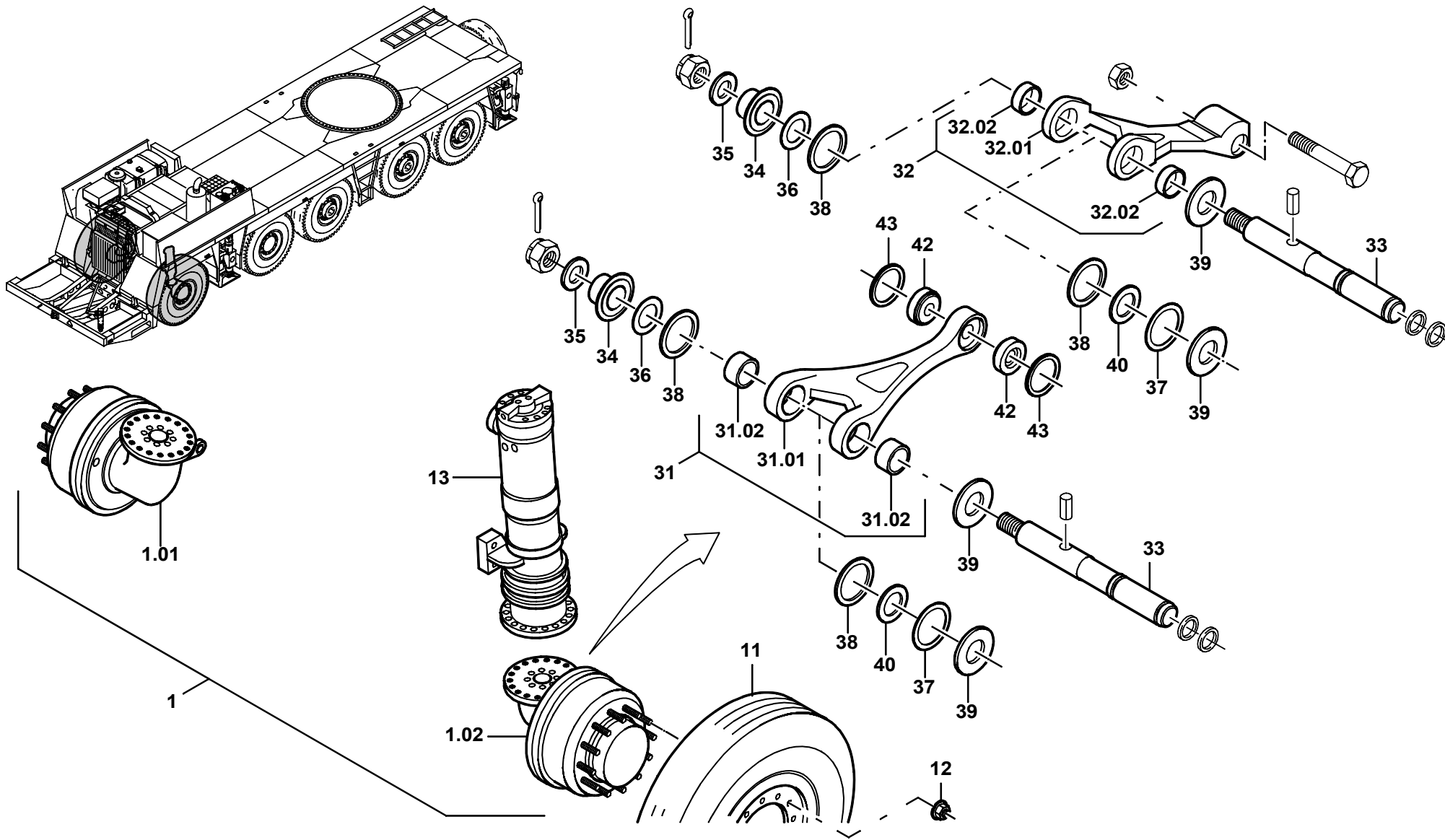


| | | | | |
|---|---|--------------------------------|---------------|-----------------------------|
|  | ACHSANBAU (10 x 8 x 10) MIT TELMA RETARDER AXLE ATTACHMENT (10 x 8 x 10) WITH TELMA RETARDER | BILDТАFEL PICTORIAL DISPLAY | | GMK 5100 BE 511 G 061 |
| | | 05.02 | 3055055-ETL B | |



GROVE

ACHSANBAU (10 x 8 x 10) MIT TELMA RETARDER
 AXLE ATTACHMENT (10 x 8 x 10) WITH TELMA RETARDER

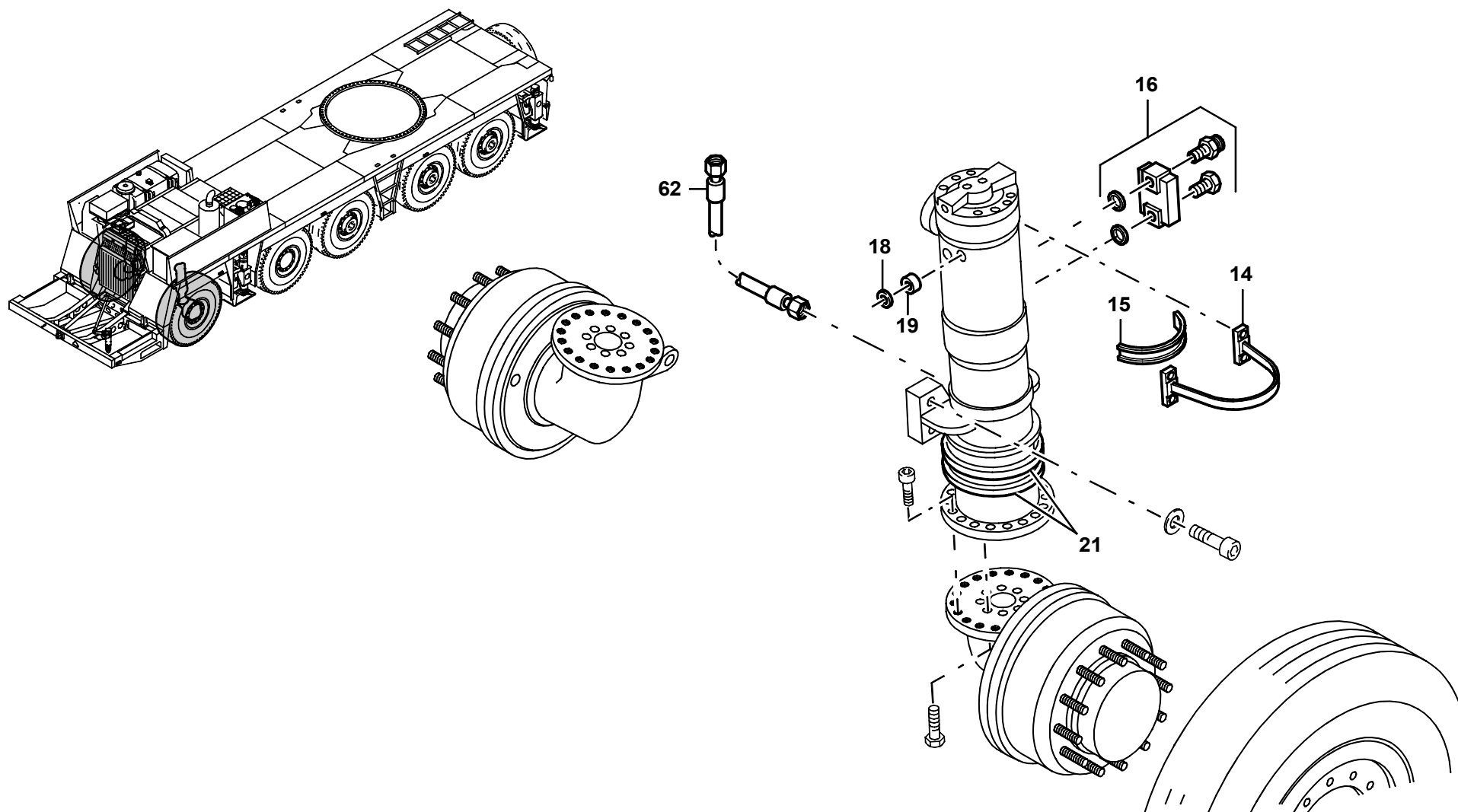
BILDTAFEL
 PICTORIAL DISPLAY

GMK 5100
BE 511
G 061

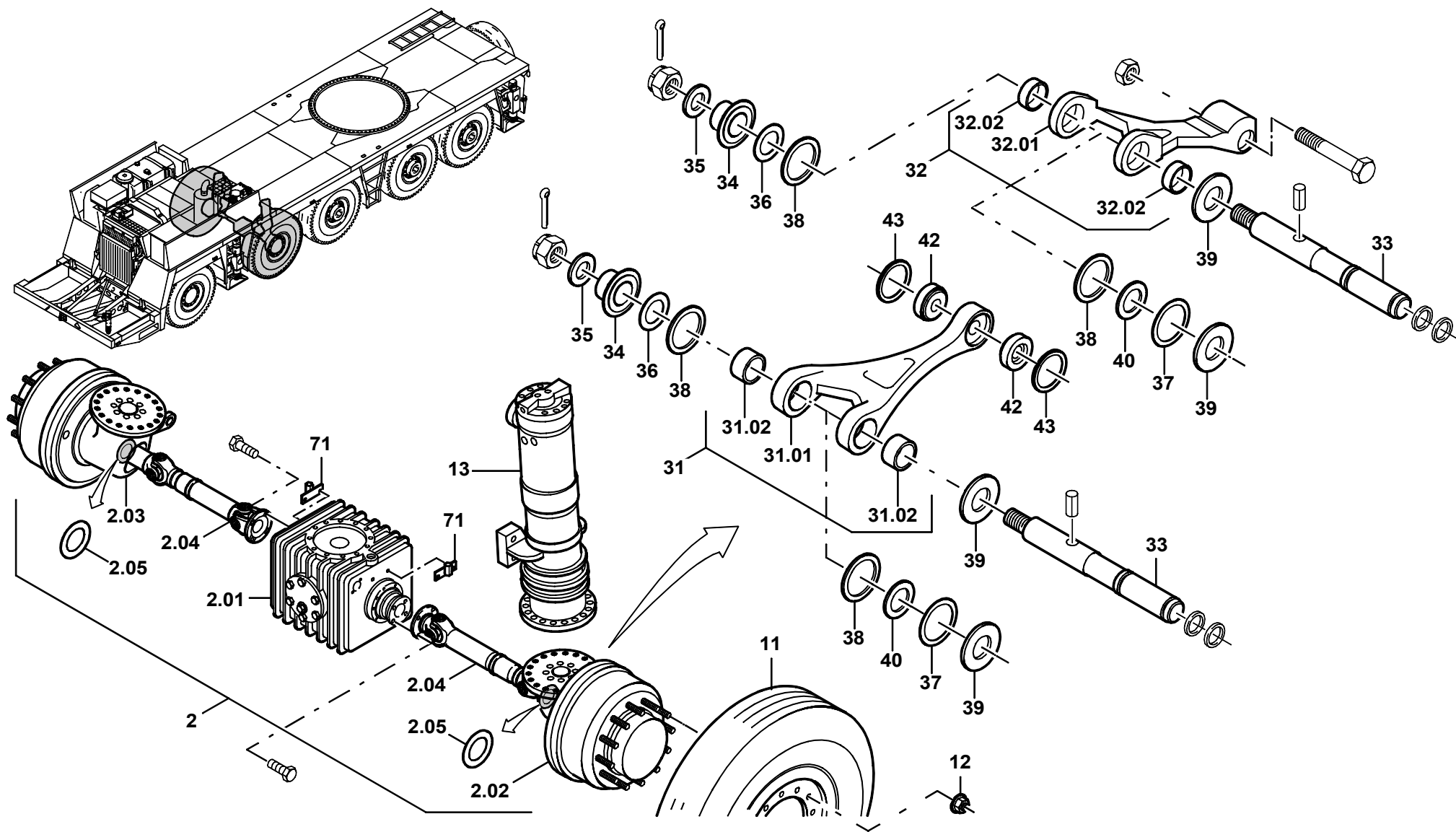
05.02

3055055-ETL B

2/10



| | | | | |
|--------------|---|--------------------------------|---------------|-----------------------------|
| GROVE | ACHSANBAU (10 x 8 x 10) MIT TELMA RETARDER | BILDТАFEL PICTORIAL DISPLAY | | GMK 5100 BE 511 G 061 |
| | AXLE ATTACHMENT (10 x 8 x 10) WITH TELMA RETARDER | 05.02 | 3055055-ETL B | |



GROVE

ACHSANBAU (10 x 8 x 10) MIT TELMA RETARDER
 AXLE ATTACHMENT (10 x 8 x 10) WITH TELMA RETARDER

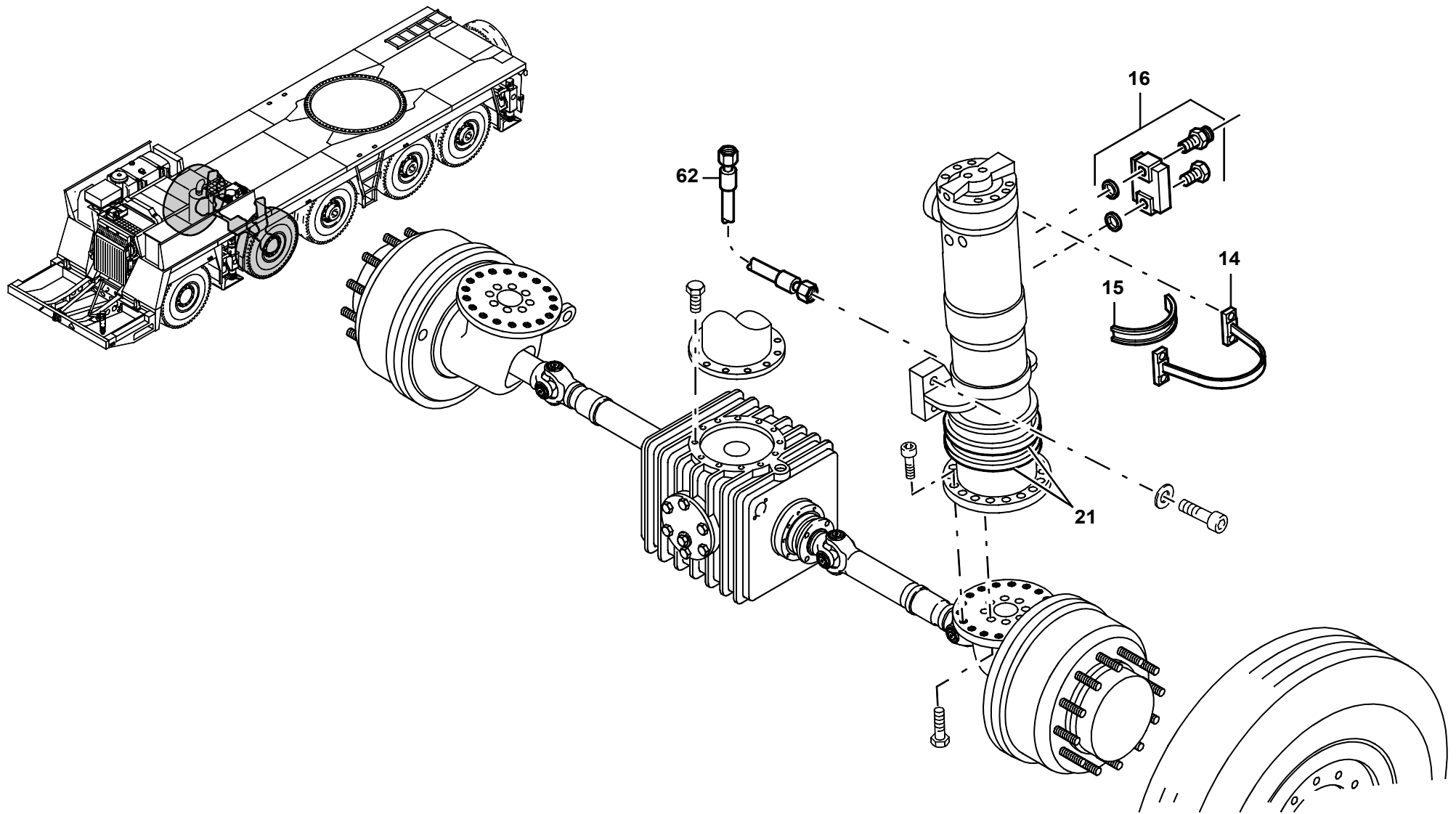
BILDTAFEL
 PICTORIAL DISPLAY

05.02

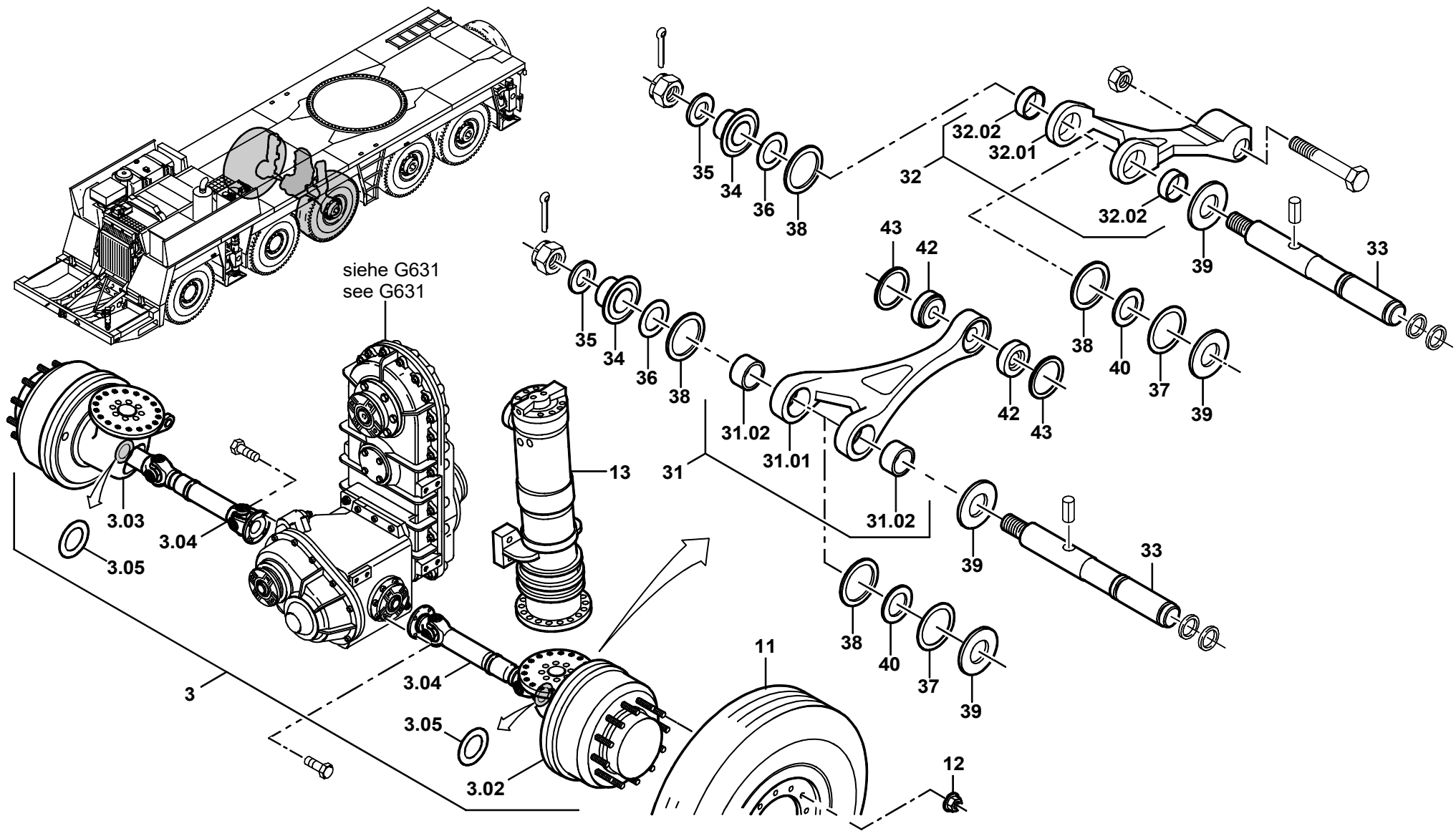
3055055-ETL B

4/10

GMK 5100
BE 511
G 061



| | | | | |
|---------------|---|--------------------------------|----------------------|--|
| GROVE® | ACHSANBAU (10 x 8 x 10) MIT TELMA RETARDER | BILDTAFEL PICTORIAL DISPLAY | | GMK 5100 BE 511 G 061 |
| | AXLE ATTACHMENT (10 x 8 x 10) WITH TELMA RETARDER | 05.02 | 3055055-ETL B | |



GROVE

ACHSANBAU (10 x 8 x 10) MIT TELMA RETARDER
AXLE ATTACHMENT (10 x 8 x 10) WITH TELMA RETARDER

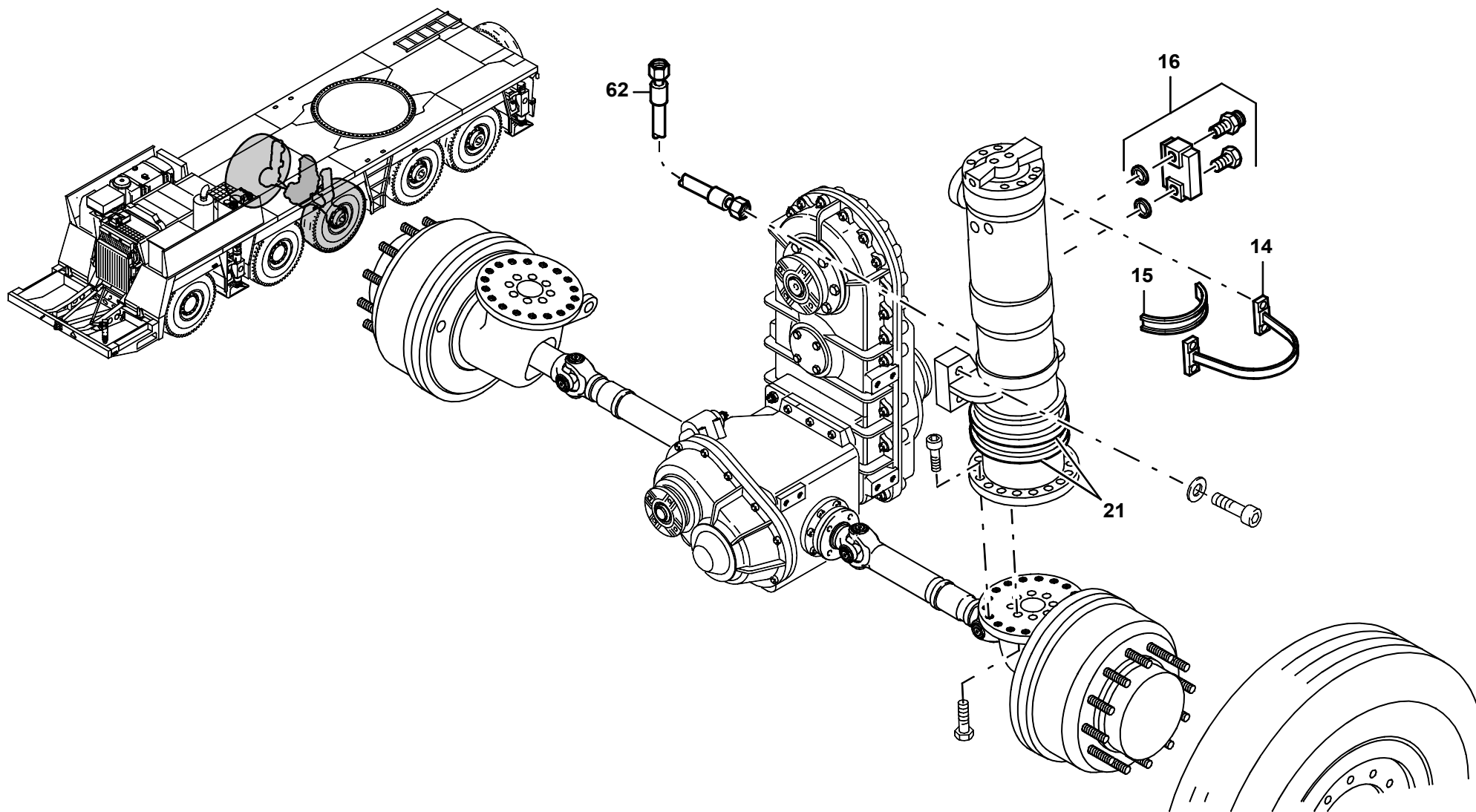
BILDTAFEL
PICTORIAL DISPLAY

GMK 5100
BE 511
G 061

05.02

3055055-ETL B

6/10



GROVE

ACHSANBAU (10 x 8 x 10) MIT TELMA RETARDER
 AXLE ATTACHMENT (10 x 8 x 10) WITH TELMA RETARDER

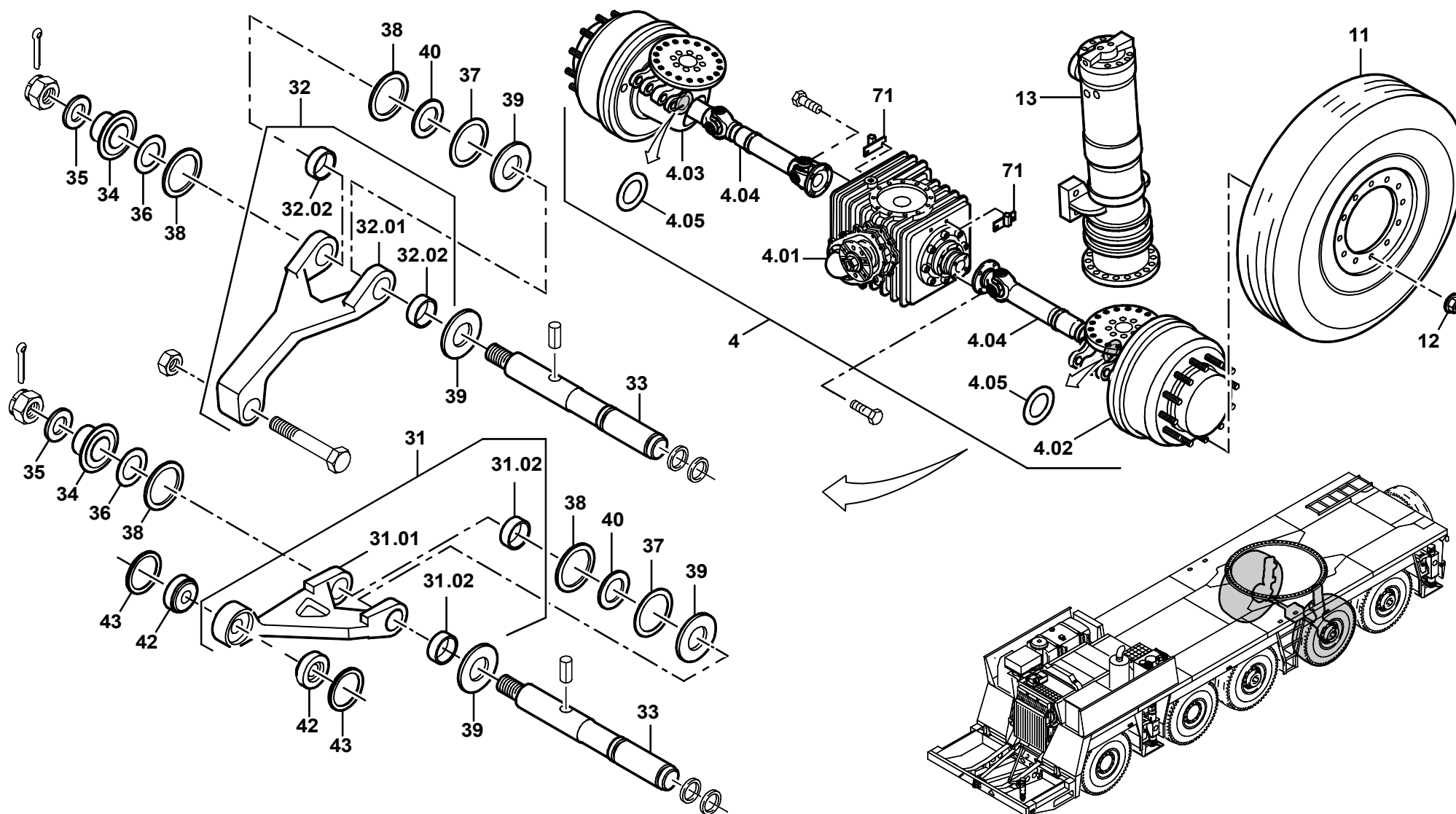
BILDTAFEL
 PICTORIAL DISPLAY

05.02

3055055-ETL B

7/10

GMK 5100
BE 511
G 061



GROVE

ACHSANBAU (10 x 8 x 10) MIT TELMA RETARDER
AXLE ATTACHMENT (10 x 8 x 10) WITH TELMA RETARDER

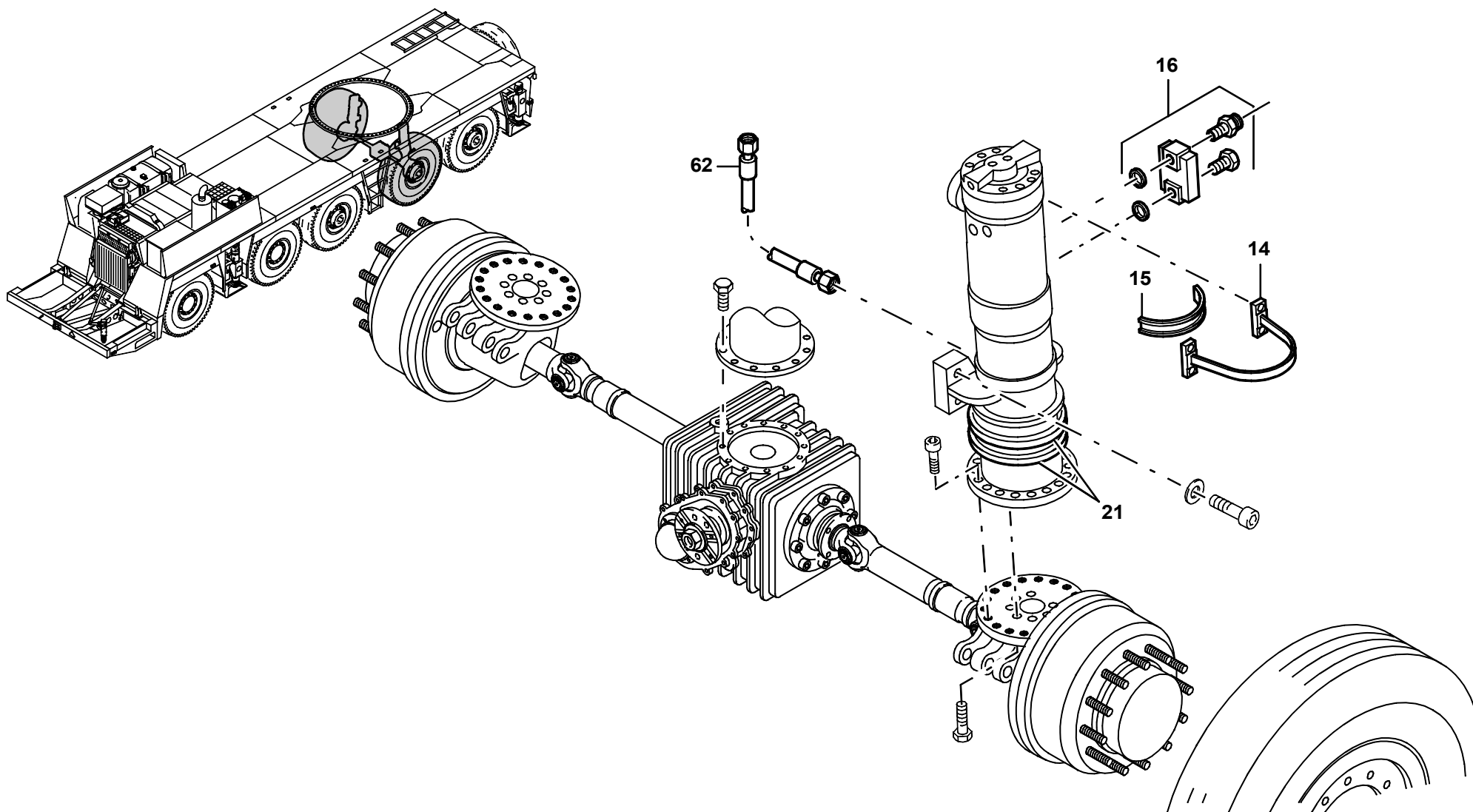
BILDTAFEL
PICTORIAL DISPLAY

05.02

3055055-ETL B

8/10

GMK 5100
BE 511
G 061



GROVE

ACHSANBAU (10 x 8 x 10) MIT TELMA RETARDER
 AXLE ATTACHMENT (10 x 8 x 10) WITH TELMA RETARDER

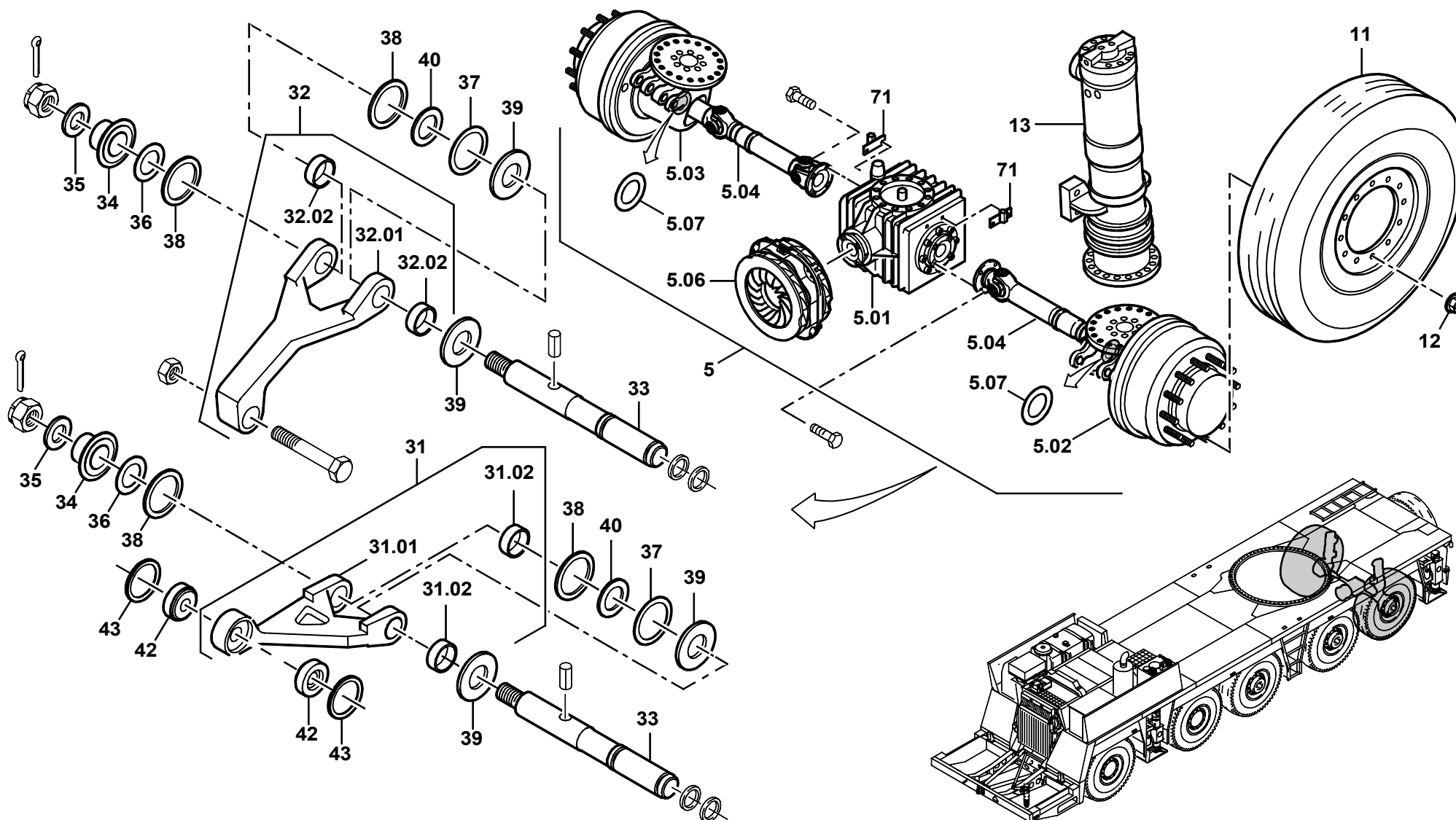
BILDTAFEL
 PICTORIAL DISPLAY

GMK 5100
 BE 511
 G 061

05.02

3055055-ETL B

9/10



GROVE

ACHSANBAU (10 x 8 x 10) MIT TELMA RETARDER
 AXLE ATTACHMENT (10 x 8 x 10) WITH TELMA RETARDER

BILDTAFEL
 PICTORIAL DISPLAY

05.02

3055055-ETL B

10/10

GMK 5100
BE 511
G 061

